

PRODUCT FEATURES & TECHNICAL INFORMATION

- High security hinge in solid natural polished brass
- Concealed fixing holes
- For use on windows and doors
- Hinges are non-handed
- BS2100EXT is fitted with nylon bushes for superior longevity
- BS2100EXTNW is non-washed version of hinge

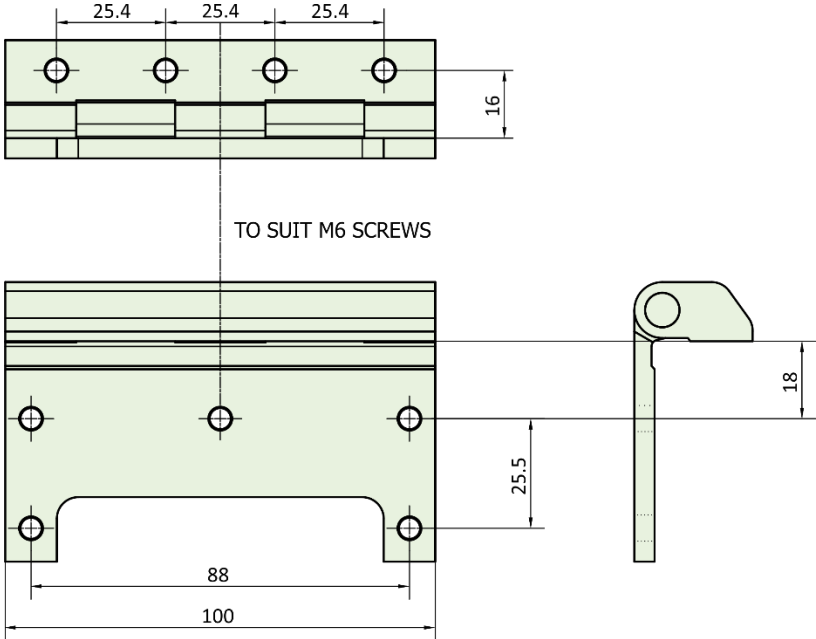
BS2100 Extended Slim Line Butt Hinges – 100mm



BS2100EXT



BS2100EXTNW



Dimensions